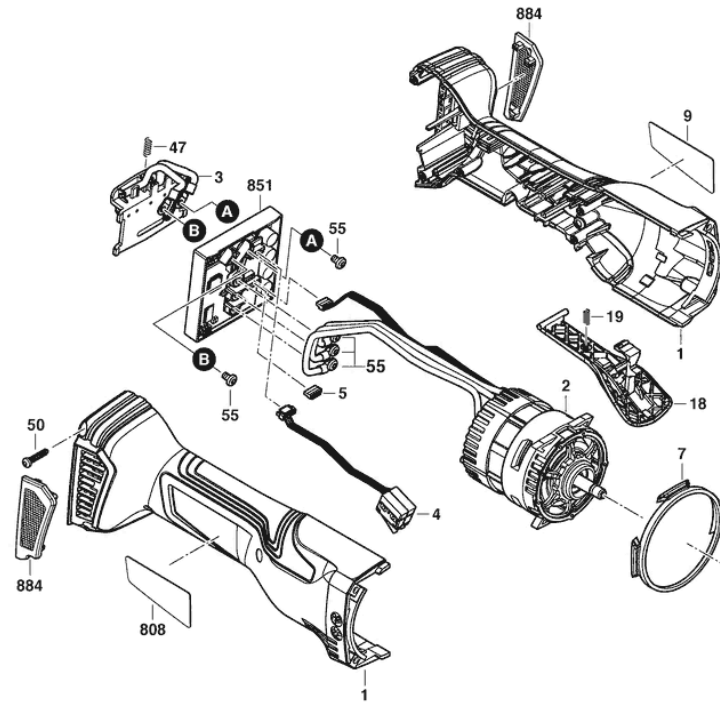


Illustration - Type - E

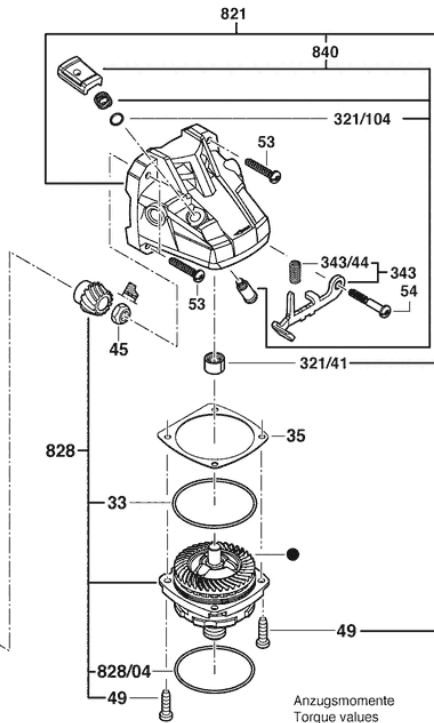
3 601 JH6 L04  
 Stand | 23-03  
 Issue | 23-07-20

Fig./Abb. 1



Änderungen vorbehalten  
 Modifications reserved  
 Modifications réservées  
 Salvo modificaciones

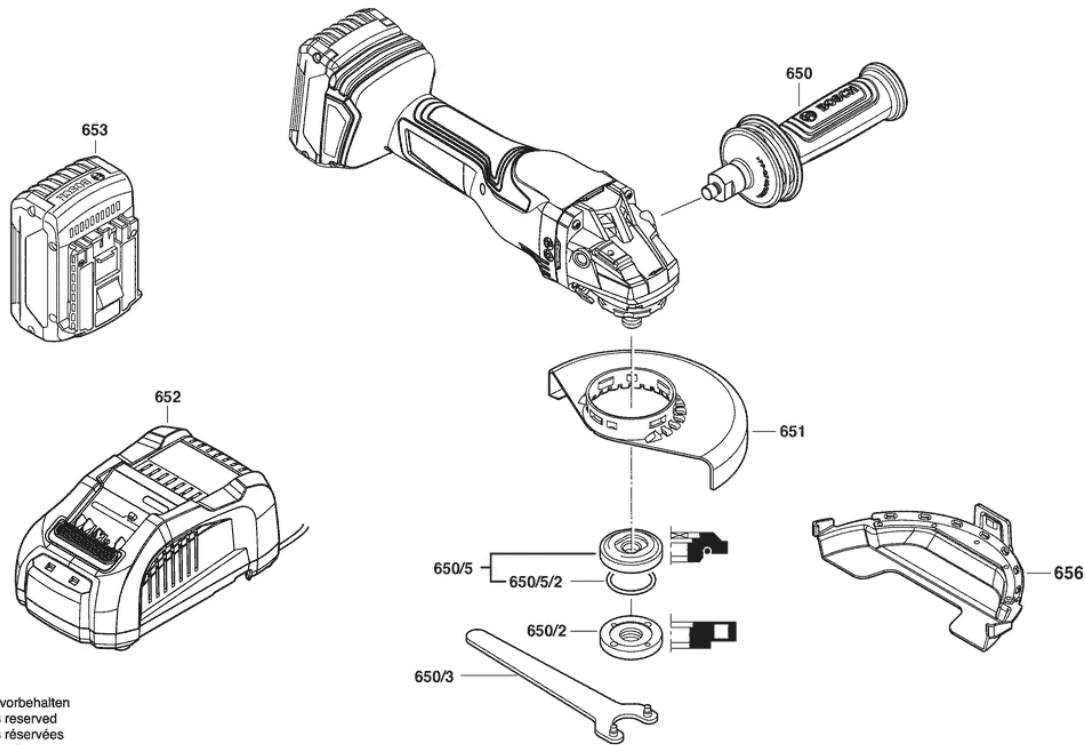
● = Zahnspiel 0,05 - 0,20mm mit Pos. 35 eingestellt  
 Tooth clearance 0,05 - 0,20mm adjusted with Pos. 35



Anzugsmomente  
 Torque values  
 Couple de serrage  
 Pares de apriete  
 Pos. 45 = 8,0 - 12 Nm  
 Pos. 49 = 2,6 - 3,5 Nm  
 Pos. 50 = 0,8 - 1,0 Nm  
 Pos. 53 = 1,5 - 1,8 Nm  
 Pos. 54 = 1,5 - 1,8 Nm

Illustration - Type - E

3 601 JH6 L04  
Stand } 23-03-16  
Issue } **Fig./Abb. 2**



Änderungen vorbehalten  
Modifications reserved  
Modifications réservées  
Salvo modificaciones

## Spare parts list

Item	Part Number	Description	Illustration
1	1 605 108 2UT	Motor Housing	1
2	1 607 022 661	DC motor	1
3	1 600 A02 4C4	Contact Plate	1
4	1 600 A01 6JC	Switch Unit	1
5	1 600 A02 87P	Dummy Plug	1
7	1 600 A01 6U4	Cover Ring	1
9	1 601 11C 5G3	Manufacturer's nameplate	1
18	1 600 A02 5M2	Switch-Pawl	1
19	1 604 612 03M	Compression Spring	1
33	1 600 210 035	O-Ring 46,0X1,1 MM	1
35	1 600 136 013	Shim 0,1 MM THICK	1
35	1 600 136 014	Shim 0,2 MM THICK	1
35	1 600 136 015	Shim 0,3 MM THICK	1
35	1 600 136 020	Shim 0,15 MM THICK	1
45	1 603 300 016	Hex Nut M7, SW10	1
47	1 609 280 477	Compression Spring	1
49	1 603 435 08X	Thread-forming tap. Screw M4X16-ST W/ PRECOTE 85-3	1
50	1 603 435 071	Thread-forming tap. Screw	1
53	1 603 435 078	Torx Oval-Head Screw	1
54	1 603 414 026	Torx Oval-Head Screw 4X30	1
55	1 603 430 03T	Screw	1
321/104	1 600 210 044	O-Ring 4,5X1,0 MM BLUE	1
321/41	1 600 200 029	Plain bearing	1
343	1 607 000 742	Catch Lever	1
343/44	1 604 611 042	Compression Spring	1
808	1 601 11A C5E	Nameplate	1
821	1 607 000 D80	Gear Housing	1
828	1 607 000 EB8	Bearing Flange	1
828/04	3 600 210 109	O-Ring 47,0X1,5 MM	1
840	1 607 000 V41	Push-Button	1
851	1 607 000 EB7	Electronic Module	1
884	1 607 000 CA9	Filter Unit	1
650	1 607 000 E8B	Auxiliary Handle	2
650/2	1 603 345 043	Round Nut M14	2

**Spare parts list**

<b>Item</b>	<b>Part Number</b>	<b>Description</b>	<b>Illustration</b>
650/3	1 607 950 052	Pin-Type Face-Wrench	2
650/5	2 605 703 014	Clamping Flange    Ø22,3XØ42 MM	2
650/5/2	1 600 210 055	O-Ring    20,35X1,78 MM	2
651	1 600 A02 84A	Protective Cover	2
656	1 619 P16 650	Guard	2